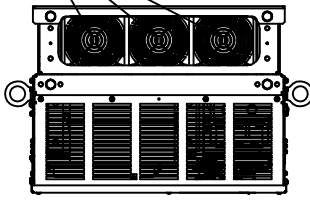
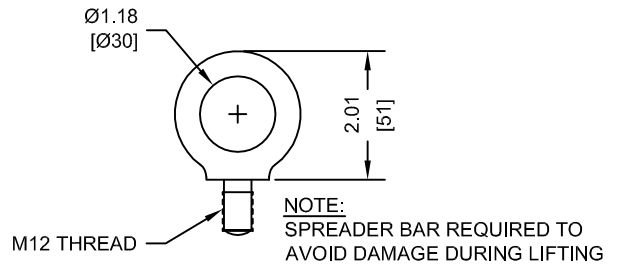


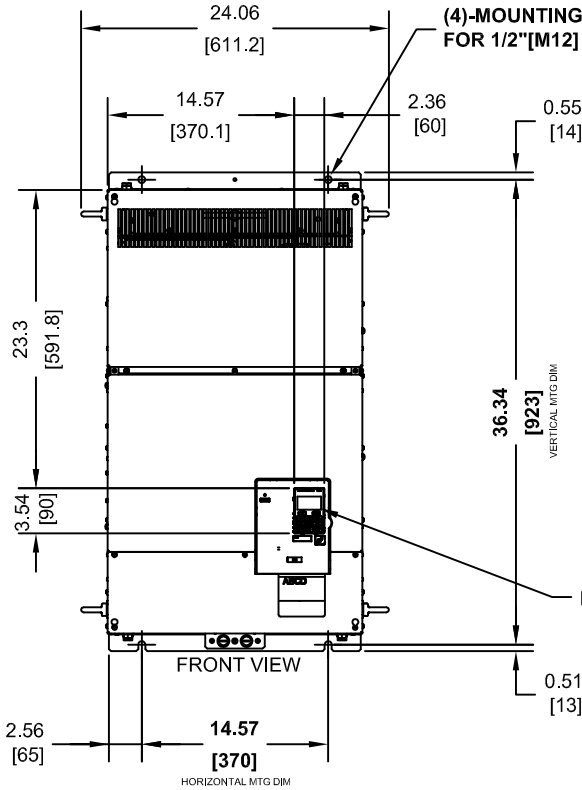
(3) EXTERNAL COOLING FANS



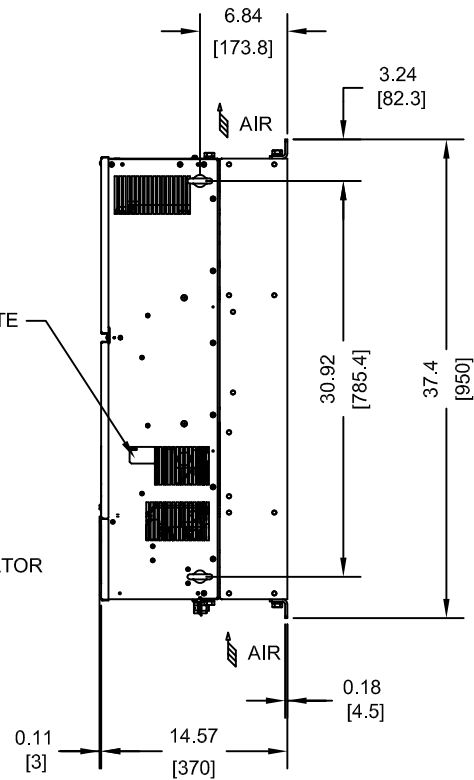
LIFTING AND EYEBOLT DETAILS



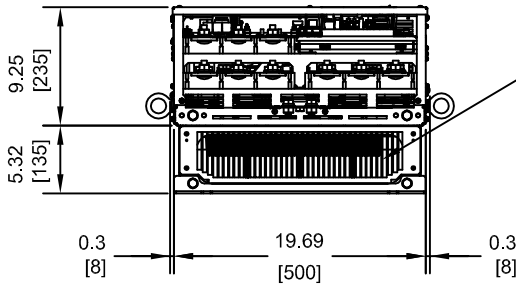
(4)-MOUNTING HOLES FOR 1/2" [M12] SCREWS



NAMEPLATE
DIGITAL OPERATOR



OPTIONAL CAPACITOR COVER
WHEN USING AN EXTERNAL MOUNT HEATSINK, UL COMPLIANCE REQUIRES COVERING EXPOSED CAPACITORS IN THE MAIN CIRCUIT TO PREVENT INJURY. CONSULT MANUAL FOR DETAILS.



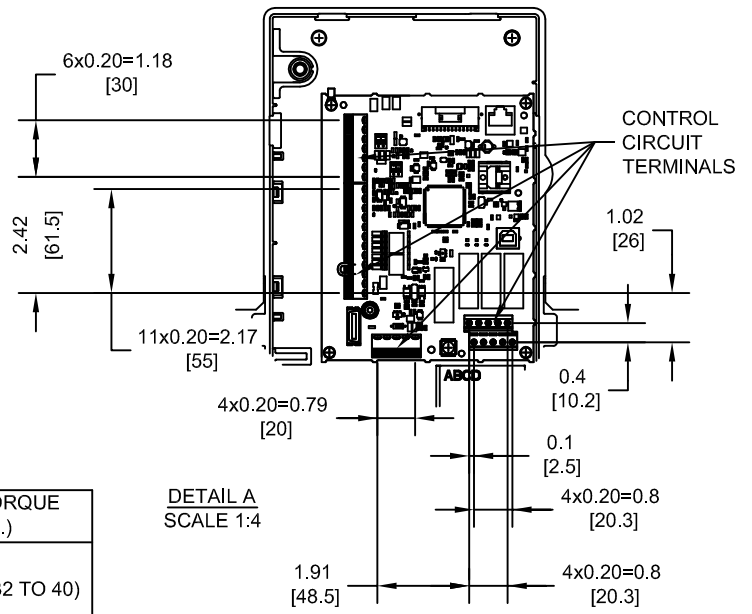
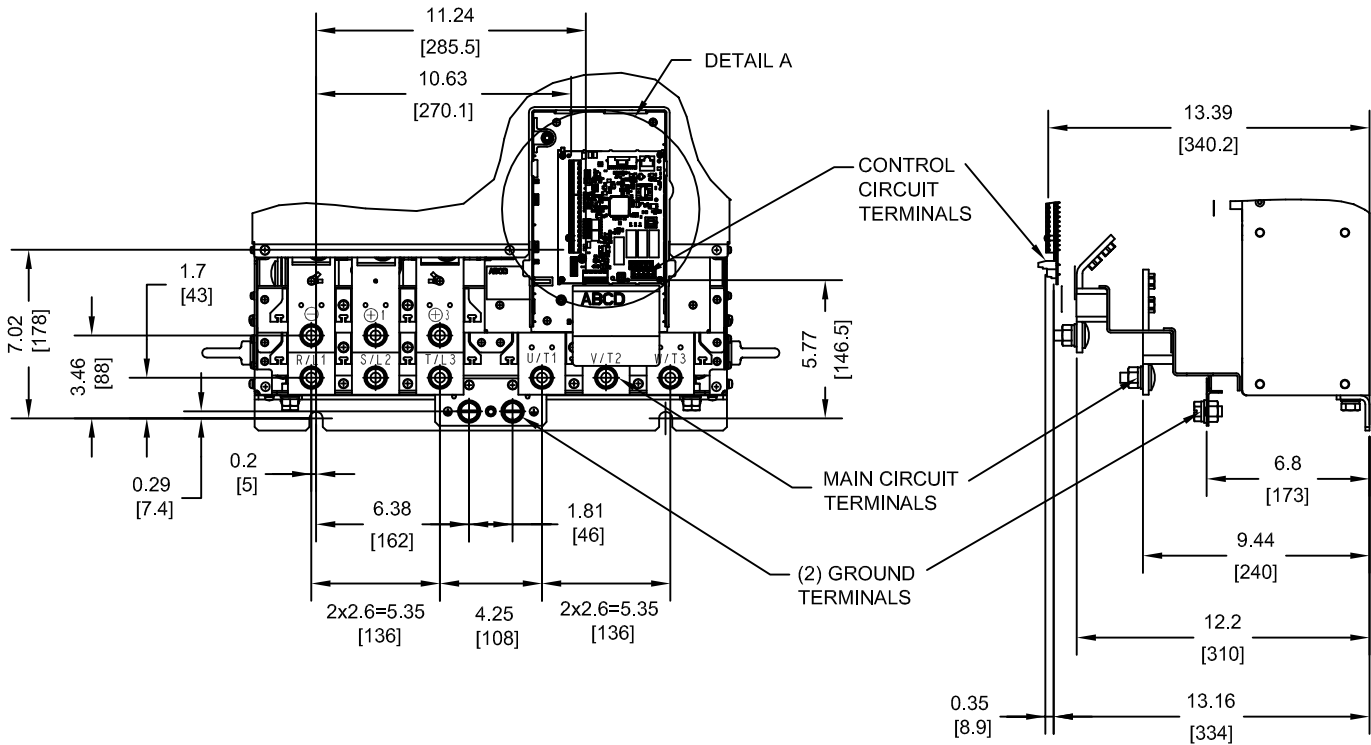
MODEL # CIMR-ZU	VOLTAGE THREE-PHASE (VAC)	OUTPUT CURRENT (A)	WEIGHT LBS (Kg)	HEAT LOSS (W) (Fc=2kHz)		
				INT	EXT	TOT
4A0414AXX	380/480	414	275 (125)	1295	3443	4738

NOTE:
XX DENOTES AA-ZZ
INT=INTERNAL COMPONENTS
EXT=EXTERNAL HEATSINK
TOT=TOTAL

FOR ADDITIONAL DETAILS AND SPECIFICATIONS, CONSULT MANUAL

TOLERANCES / REFERENCES:			DRAWN: J. MATTAS DATE: 11-7-11	TITLE: Z1000 DIMENSION DRAWING FRAME SIZE 9 IP00 ENCLOSURE 4A0414		
			CHECKED: J. PIOTROWSKI DATE: 3-9-12	TECH: J. BORJA DATE: 3-5-12	REVISION: R00	PAGE: 1 of 3
		THIS DOCUMENT AND INFORMATION CONTAINED IN IT ARE CONFIDENTIAL, AND CANNOT BE COPIED OR DISCLOSED IN WHOLE OR IN PART WITHOUT THE EXPRESS WRITTEN CONSENT OF YASKAWA AMERICA, INC.	APPROVED: J. CAIRO DATE: 3-14-12	DRAWING #: DD.Z1K.FR9.IP00		
UNITS: IN [mm]	SCALE: 1:15					

TERMINAL AND WIRING DETAILS (SCALE 1:8)



TERMINAL AND WIRE SPECIFICATIONS FOR MAIN CIRCUIT AND GROUND

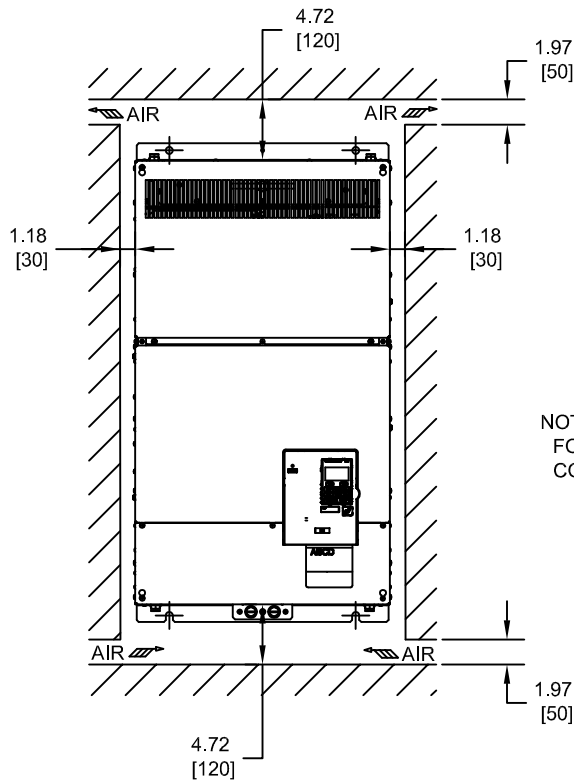
MODEL # CIMR-ZU	TERMINAL SYMBOL	TERMINAL SCREW	CLAMPING TORQUE lb.in.(N.m.)
4A0414	R/L1, S/L2, T/L3	M12	283.2 TO 354.0 (32 TO 40)
	U/T1, V/T2, W/T3		
	⊖, ⊕1		
	⊕3	M12	
	⊕	M12	

NOTE: REFER TO APPLICABLE CODES FOR PROPER WIRE TYPE AND SIZE

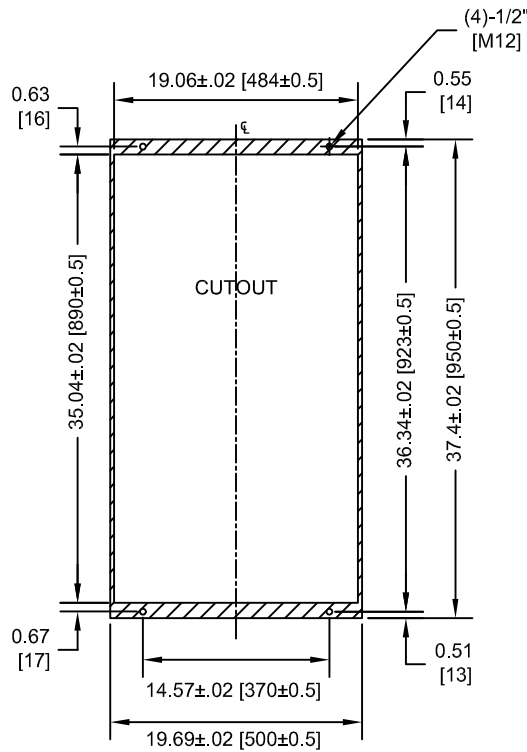
FOR ADDITIONAL DETAILS AND SPECIFICATIONS, CONSULT MANUAL

TOLERANCES / REFERENCES:			DRAWN: J. MATTAS DATE: 11-7-11	TITLE: Z1000 DIMENSION DRAWING FRAME SIZE 9 IP00 ENCLOSURE 4A0414		
			CHECKED: J. PIOTROWSKI DATE: 3-9-12	TECH: J. BORJA DATE: 3-5-12	REVISION: R00	PAGE: 2 of 3
		APPROVED: J. CAIRO DATE: 3-14-12	ORIGINAL DESIGN: -	DATE: -	DRAWING #: DD.Z1K.FR9.IP00	
UNITS: IN[mm]	SCALE: BY VIEW	THIS DOCUMENT AND INFORMATION CONTAINED IN IT ARE CONFIDENTIAL, AND CANNOT BE COPIED OR DISCLOSED IN WHOLE OR IN PART WITHOUT THE EXPRESS WRITTEN CONSENT OF YASKAWA AMERICA, INC.				

MINIMUM INSTALLATION CLEARANCES (SCALE 1:15)



PANEL CUTOUT FOR EXTERNAL HEATSINK MOUNTING CONFIGURATION (SCALE 1:15)



NOTE:
EXPOSED HEATSINK DEPTH
D=5.32" MINUS PANEL THICKNESS

FOR ADDITIONAL DETAILS AND SPECIFICATIONS, CONSULT MANUAL

TOLERANCES / REFERENCES:			DRAWN: J. MATTAS DATE: 11-7-11	TITLE: Z1000 DIMENSION DRAWING		
			CHECKED: J. PIOTROWSKI DATE: 3-9-12	FRAME SIZE 9 IP00 ENCLOSURE 4A0414		
		TECH: J. BORJA DATE: 3-5-12	APPROVED: J. CAIRO DATE: 3-14-12	SIZE A	REVISION R00	PAGE 3 of 3
UNITS: IN [mm]	SCALE: BY VIEW	ORIGINAL DESIGN: -		DATE: -	DRAWING #: DD.Z1K.FR9.IP00	
THIS DOCUMENT AND INFORMATION CONTAINED IN IT ARE CONFIDENTIAL, AND CANNOT BE COPIED OR DISCLOSED IN WHOLE OR IN PART WITHOUT THE EXPRESS WRITTEN CONSENT OF YASKAWA AMERICA, INC.						